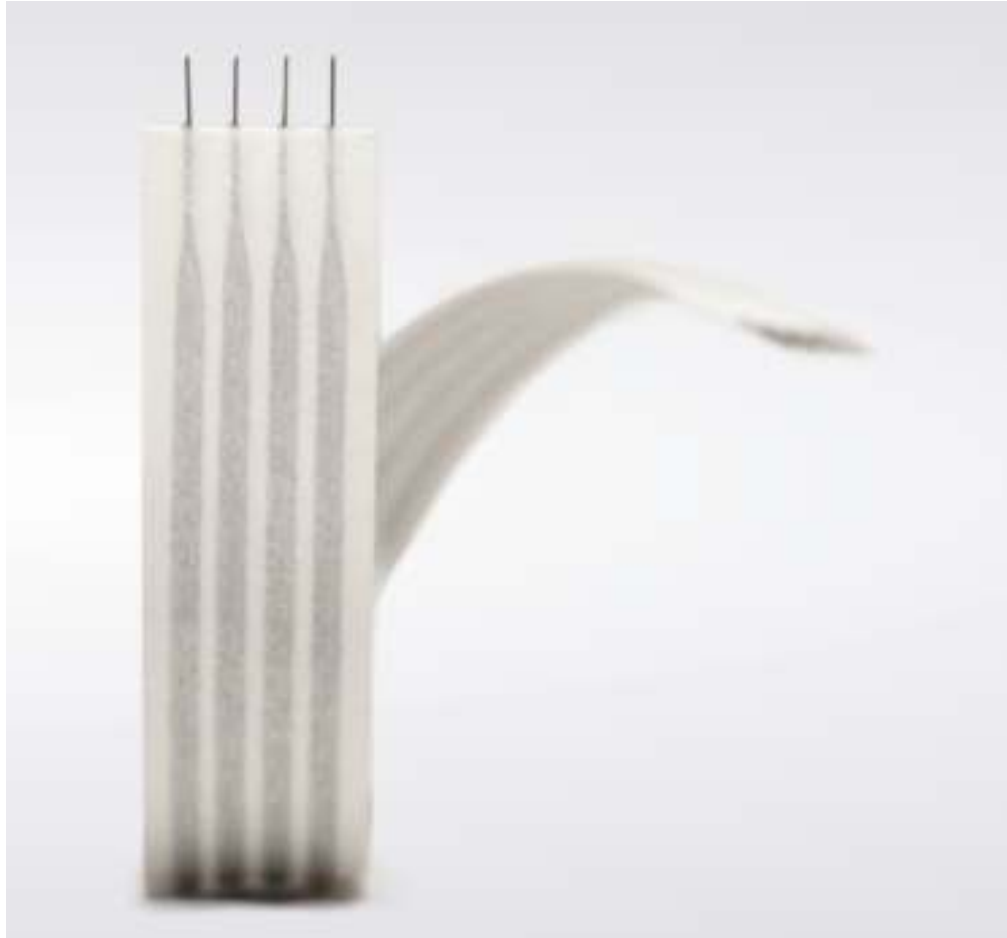
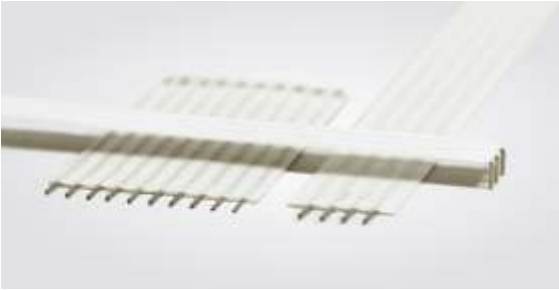


# RODAN



**CABLE ASSEMBLY**  
RFC FLEX-JUMPERS

[RODANTECH.COM/RFC](http://RODANTECH.COM/RFC)

# RODAN RFC FLEX - JUMPER

Flat cable with round-to-flat conductors



**RODAN RFC FLEX-JUMPER** is a flat cable with Round to Flat Conductors (RFC) for soldering – ready to use, which benefits in a easy and safe board to board connections.

The Round-to-flat conductor technology ensures a high vibration safety and bending resistance.



- HIGH FLEXIBILITY
- SHORT DELIVERY TIMES
- LOW ASSEMBLING COST
- SPACE SAVING
- TERMINATIONS STYLES CAN BE COMBINED
- HIGH VIBRATION SAFETY

## PARAMETERS FOR PITCH 2.54

	POLYESTER	NOMEX	PEN
Operating temperature	- 40°C to + 105°C	- 40°C to + 130°C	- 40°C to + 155°C
Soldering temperature	250°C /4sec	260°C /5sec	260°C /5sec
Capacitance	9.0 pf/ft	10.1 pf/ft	10.5 pf/ft
Characteristic Impedance	123 Ω	119 Ω	102 Ω

## TECHNICAL DATA

		1	1.25	1.27	2.0	2.54	3.96	5.08
<b>P</b> Pitch	mm	1	1.25	1.27	2.0	2.54	3.96	5.08
Number of pins		5-50	4-50	3-50	3-30	2-25	2-17	2-13
<b>L</b> Insulated length		From 15-998 mm						
American wire gauge	AWG	28	28	28	26	24	24	24
<b>W</b> Conductor width	mm	0.7	0.75	0.75	1.35	1.5	1.5	1.5
<b>M</b> Min. margin		0.3 mm						
<b>D</b> Pin diameter	mm	0.32	0.32	0.32	0.41	0.51	0.51	0.51
Conductor material		Cu acc. to EN 13599 min. 1.5 μm tin-plated						
Voltage rating	V(DC)	200	200	200	200	300	300	300
Dielectric strenght	V(DC) min	700	1100	1100	1500	1500	1500	1500
Current rating	A	1.0	1.5	1.5	2.0	3.0	3.0	3.5
Insulation resistance		>10 <sup>10</sup> Ω						

# ORDER CODE

**Product code**

**AA - Identical ends**  
For different ends type Fx AC

**Insulation Material:**  
N = Nomex  
E = Polyester  
P = Pen  
K = Kapton (on request)

**Special Pin Length:**

code	P1*	P2	P3	P4
mm	3.18	2.85	3.10	3.40

code	P5	P6	P7	P8
mm	3.80	4.10	4.50	6.50

*\*Standard: 3.18 ± 0.5 mm*

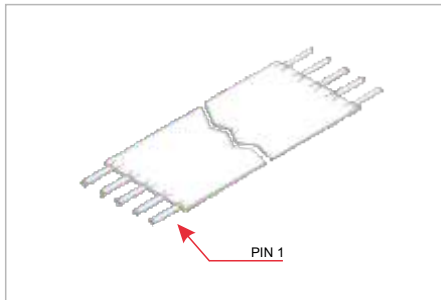
**Number of Pins**  
See Technical Data

**Pitch (mm)**  
1.00 / 1.25 / 1.27 / 2.00  
/ 2.54 / 3.96 / 5.08

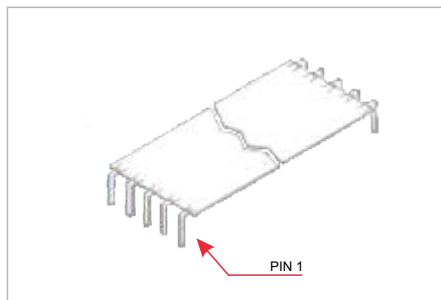
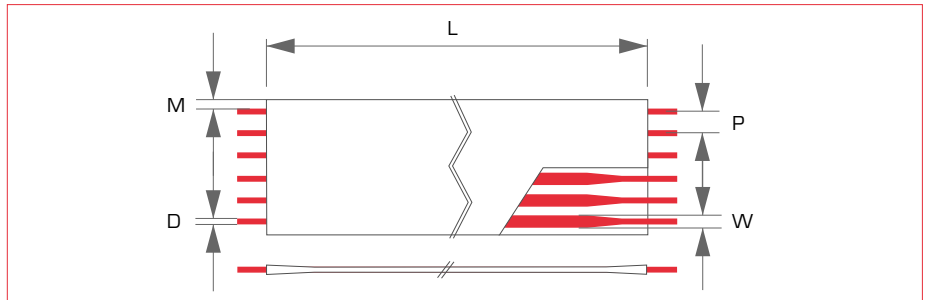
**Insulated Length (mm)**

**Order Code Example: A40 10 AA N 2.54 100 P1**

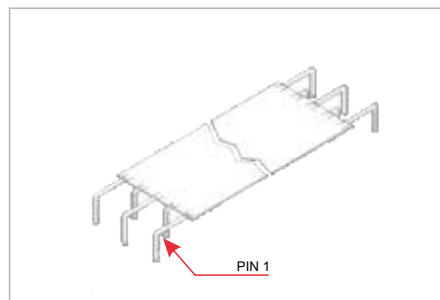
## TERMINATION STYLES:



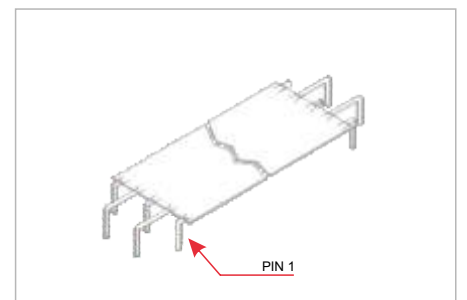
Type A (standard)



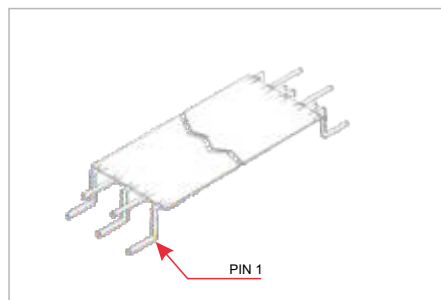
Type B



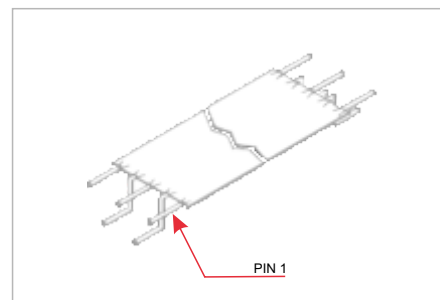
Type C



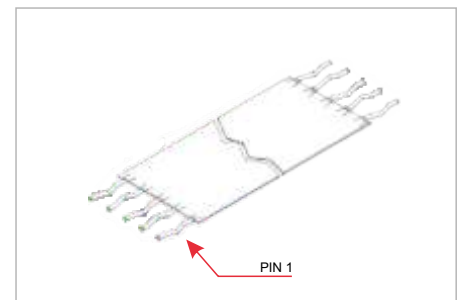
Type D



Type E



Type F



Type G

# MANUFACTURING RELATIONSHIP, DISTRIBUTING QUALITY

# RODAN



## RODAN Technologies A/S

Blokken 38 / 3460 Birkerød / Denmark  
Tel: +45 45 82 12 94  
Email: [sales@rodantech.com](mailto:sales@rodantech.com)

[RODANTECH.COM](http://RODANTECH.COM)

A Company in the Rosenberger Group

